

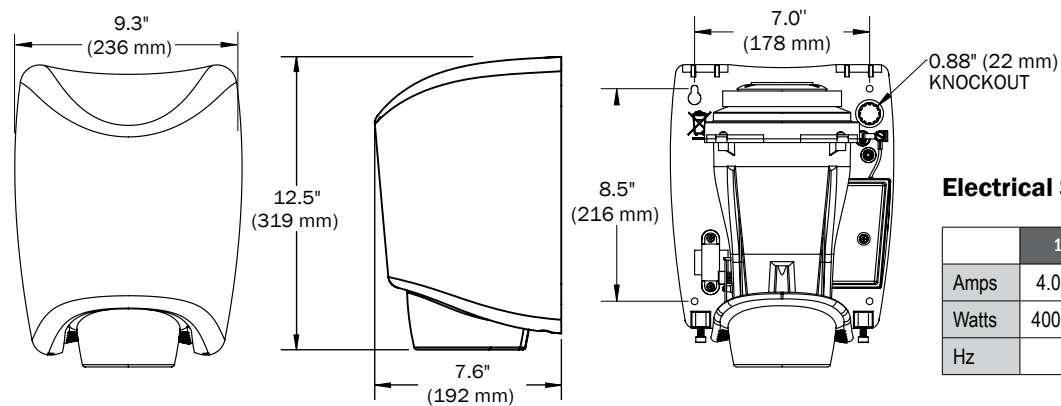
SMARTdri™ Hand Dryer

Superior Design Enhances Décor

Contemporary stylish design in 4 finishes will enhance the image and coordinate with your washroom décor.



Specifications



Electrical Specifications

	120 V	208-240 V	220-240 V
Amps	4.0 - 10.0	1.8 - 5.2	1.7 - 5.0
Watts	400 - 1200	425 - 1250	400 - 1200
Hz	60	60	50

Cover Finish / Kit	Cover Material	120 V	208 - 240 V (60Hz)	220 - 240 V (50Hz)	Unit Weight	Unit Size (HxWxD) inch/mm	Shipping Size (HxWxD) inch/mm
White	Aluminum	# K-974	# K4-974	# K48-974	11.6 lbs/5.2 kgs	12.5" x 9.3" x 7.6" 319 x 236 x 192	25.0" x 15.0" x 4.0" 635 x 381 x 102
White	Steel	# K-975	# K4-975	# K48-975	14.2 lbs/6.4 kgs	12.5" x 9.3" x 7.6" 319 x 236 x 192	25.0" x 15.0" x 4.0" 635 x 381 x 102
White	Cast Iron	# K-976	# K4-976	# K48-976	22.0 lbs/9.9 kgs	12.5" x 9.3" x 7.6" 319 x 236 x 192	25.0" x 15.0" x 4.0" 635 x 381 x 102
Polished Chrome	Aluminum	# K-970	# K4-970	# K48-970	11.6 lbs/5.2 kgs	12.5" x 9.3" x 7.6" 319 x 236 x 192	25.0" x 15.0" x 4.0" 635 x 381 x 102
Polished	Stainless Steel	# K-972	# K4-972	# K48-972	14.2 lbs/6.4 kgs	12.5" x 9.3" x 7.6" 319 x 236 x 192	25.0" x 15.0" x 4.0" 635 x 381 x 102
Brushed Chrome	Aluminum	# K-971	# K4-971	# K48-971	11.6 lbs/5.2 kgs	12.5" x 9.3" x 7.6" 319 x 236 x 192	25.0" x 15.0" x 4.0" 635 x 381 x 102
Brushed	Stainless Steel	# K-973	# K4-973	# K48-973	14.2 lbs/6.4 kgs	12.5" x 9.3" x 7.6" 319 x 236 x 192	25.0" x 15.0" x 4.0" 635 x 381 x 102
Black	Aluminum	# K-162	# K4-162	# K48-162	11.6 lbs/5.2 kgs	12.5" x 9.3" x 7.6" 319 x 236 x 192	25.0" x 15.0" x 4.0" 635 x 381 x 102
Recess Kit **	Stainless Steel	KKR-973			9.8 lbs/ 4.4 kgs	25.0" x 15.0" x 4.0" 635 x 381 x 102	25.4" x 15.5" x 6.0" 645 x 394 x 152

SMARTdri™ Hand Dryer

High-Efficiency Intelligent Hand Dryer



- Flexible Intelligent Options
- Fastest Dry Time
- Best Cost-in-Use
- Extremely Energy Efficient
- Most Powerful Air Performance



5700 McDermott Drive, Berkeley, IL 60163
 Tel: (800) 3230701, (708) 4496950
 Fax: (708) 4496958
 www.worlddryer.com

SMARTdri™ Hand Dryer



SMARTdri™ is the most energy efficient, fastest and hygienic hand dryer. SMARTdri is “best of the best” and designed to optimize dry time, energy consumption and sound quality. The intelligent, flexible controls allow customizing air flow, sound quality and heating options to fit any application environment.

Most Powerful Air Performance

Combining high air velocity and air flow

10 dry time second | **3X** than traditional dryers faster



Why Choose Hand Dryers?

Best Cost Savings

- 95%+ Savings over the cost of paper towels

Lowest Maintenance

- No purchasing or stocking of paper towels
- No overflowing trash cans to empty
- No fear of running out of paper towels
- No paper towels clogging your toilets

BEST

Extremely Energy Efficient

- Lowest energy consumption in all classes
- Uses only 33% energy of traditional dryer
- Uses only 45%-65% energy than competitive high speed dryers

Power Consumption	SMARTdri			Traditional	Competitor
	Low	Med	High		
Heat ON	800 W	1000 W	1200 W	2300 W	1500 W
Heat OFF	400W	600 W	800 W		

Best Cost-in-Use

95%+ savings over the cost of paper towels

95%+
savings

“Best of the Best”

Longest brush life in high-speed dryers

- Average 720,000 uses (approximately 10 years @ 200 uses/day)

Most hygienic

- Epoxy painted covers and air flow path infused with SteriTouch® antimicrobial technology
- Automatic operation promotes hand hygiene

Improved sound level and quality • Durable and vandal resistant

Superior reliability and quality • Modular design, ease of servicing



Intelligent . Flexible

Accommodates all application environments

3-Speed motor controls

- High - Fastest, for high volume facilities
- Low - Quiet, for low traffic environments

ON/OFF heating options

Selectable options for user comfort

- ON - Warm climate
- OFF - Cold climate



More Hygienic

- Reduces growth of bacterial, mold and fungi
- No messy paper towels littering floor
- Automatic activation prevents cross contamination

Environmentally Friendly

- Protect environment
- Saves Trees
- Reduces waste in landfills
- Supports green buildings to earn LEED credits